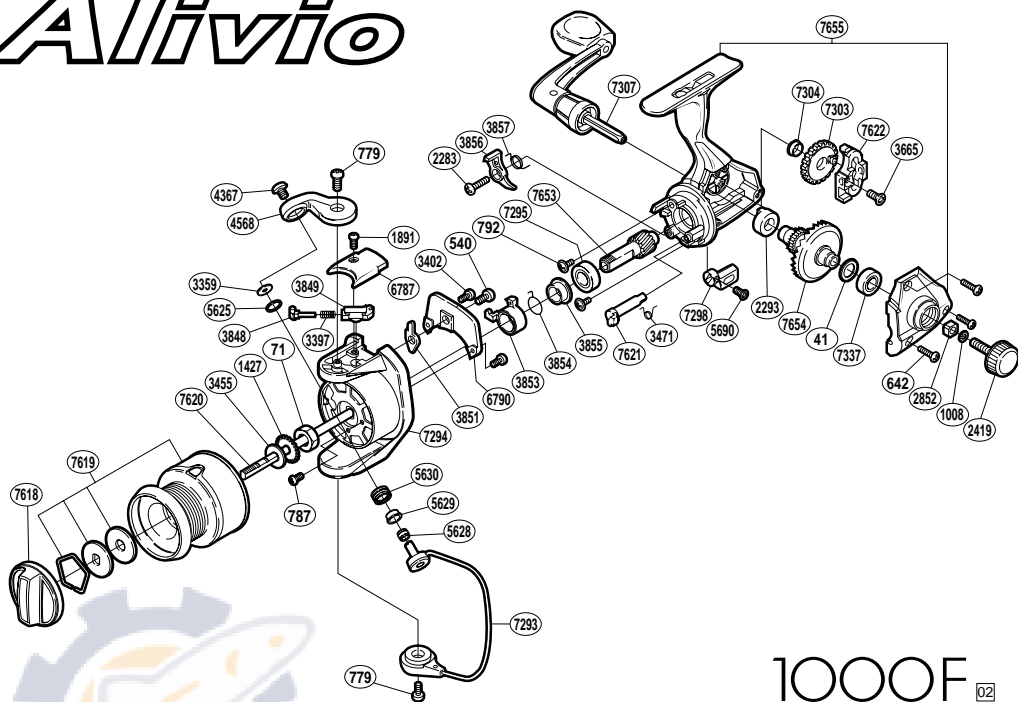


Alivio



1000F 02

ReelSchematic

RD No.	PARTS NAMES	RD No.	PARTS NAMES	RD No.	PARTS NAMES
0041	Drive Gear Washer	3471	Anti-Reverse Cam Spring	6790	Counterbalance Cover
0071	Rotor Nut	3665	Slider Retainer Screw	7293	Bail Assembly
0540	Bail Trip Lever Screw	3848	Bail Spring Guide (A)	7294	Rotor
0642	Side Cover Screw	3849	Bail Spring Guide (B)	7295	Ball Bearing
0779	Multi-Purpose Screw	3851	Bail Trip Lever	7298	Anti-Reverse Lever
0787	Nut Lock Screw	3853	Anti-Reverse Lock Out	7303	Oscillating Gear
0792	Bearing Retainer Screw	3854	Anti-Reverse Lock Out Spring	7304	Oscillating Gear Bushing
1008	Handle Lock Washer	3855	Lock Out Spring Holder	7307	Handle Assembly
1427	Spool Support	3856	Anti-Reverse Pawl	7337	Ball Bearing
1891	Bail Spring Cover Screw	3857	Anti-Reverse Pawl Spring	7618	Drag Knob Assembly
2283	Anti-Reverse Pawl Screw	4367	Line Roller Screw	7619	Spool Assembly
2293	Drive Gear Bushing	4568	Bail Arm	7620	Main Shaft
2419	Handle Screw Cap	5625	Line Roller Spacer	7621	Anti-Reverse Cam
2852	Handle Screw Lock	5628	Line Roller Collar	7622	Oscillating Slider
3359	Line Roller Washer	5629	Line Roller Bushing	7653	Pinion Gear
3397	Bail Spring	5630	Line Roller	7654	Drive Gear
3402	Cover Screw	5690	Anti-Reverse Lever Screw	7655	Body Assembly
3455	Spool Washer	6787	Bail Spring Cover		